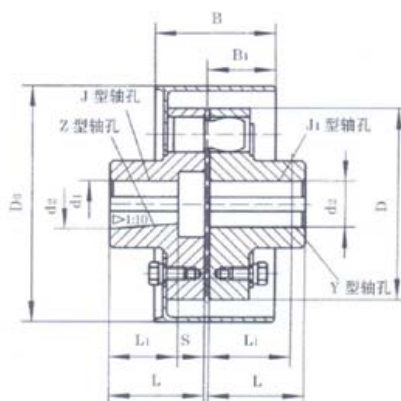


Pin Coupling Elastomer with Brake Wheel (LXZ Series)



LXZ Series Pin Coupling Elastomer with Brake Wheel

Description

Elastic components of this machine are made of nylon, which has high intensity and abrasion resistance. Operating temperature of this shaft coupling is -20°C to 70°C . Axle hole and keyway are in accordance with GB/T3852-1997 regulation.

Marking Illustration

Shaft hole length of Z and J type refers to the length of fit, that is L1 in the following table.

Driving side: J type axle hole, B type keyway, axle hole diameter $d_1=60$ mm; axle hole length $L_1=107$ mm

Driven end: Y type axle hole; B type keyway; diameter of axle hole $d_2=75$ mm; length of axle hole $L=84$ mm

JB60×107

Shaft coupling: LXZ5 YB75×84 GB/T5014-2003

Parameters

Model	Nominal Torque Tn (N.m)	Limited Rotational Speed [n] (r/min)	Shaft Hole Diameter	Shaft Hole Length	D0	D	B	Rotational Inertia (kg.m ²)	Weight (kg)
			d1,d2, dz	Y,J,J1,Z1					
			mm	L,L1					
LXZ1	315	5600	20—35	38—82	200	120	85	218	11
LXZ2	630	5000	30—48	60—112	200	160	85	2.45	14
LXZ3	630	1900	30—48	60—112	315	160	132	13.08	25
LXZ4	1250	1900	40—63	84—142	315	195	132	16.6	40
LXZ5	1250	1400	40—63	84—142	400	195	168	49.2	59
LXZ6	2000	1400	50—75	84—142	400	220	168	57.6	69
LXZ7	2000	1120	50—75	84—142	500	220	210	127.4	91

LXZ8	3150	1400	60—85	107—172	400	280	168	161.7	88
LXZ9	3150	1120	60—85	107—172	500	280	210	129.2	113
LXZ10	6300	1120	70—110	102—212	500	320	210	156	156
LXZ11	6300	960	70—110	102—212	630	320	265	314	187
LXZ12	10000	960	80—125	132—212	630	360	265	328	326
LXZ13	16000	800	100—140	167—252	710	410	298	713	337
LXZ14	25000	800	110—180	167—302	710	480	298	849	458
LXZ15	25000	710	110—180	167—302	800	480	335	1231	504

Notes

1. Half coupling adopts forged steel or steel castings.
2. Axle hole form and length L and L1 can be selected according to requirements.
3. Weight and rotational inertia of shaft coupling are approximations.
4. Integral braked wheel can be selected.